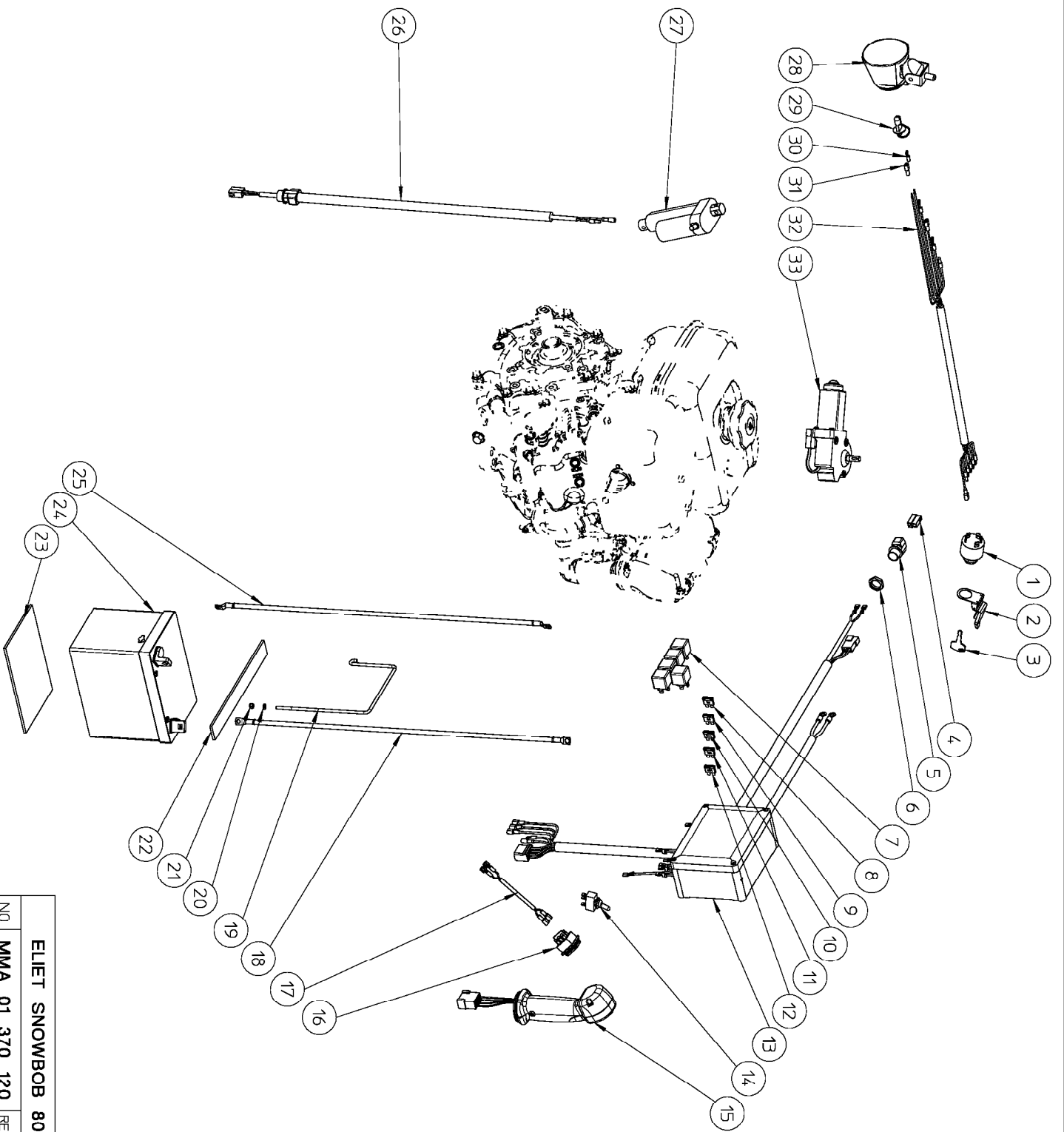


**ELIET SNOWBOB 8014 --- STEERING UNIT**

| NO | MMA | 01 370 110 | REV | 1 | DATE | 2014/01/24 |
|----|-----|------------|-----|---|------|------------|
|    |     |            |     |   |      |            |

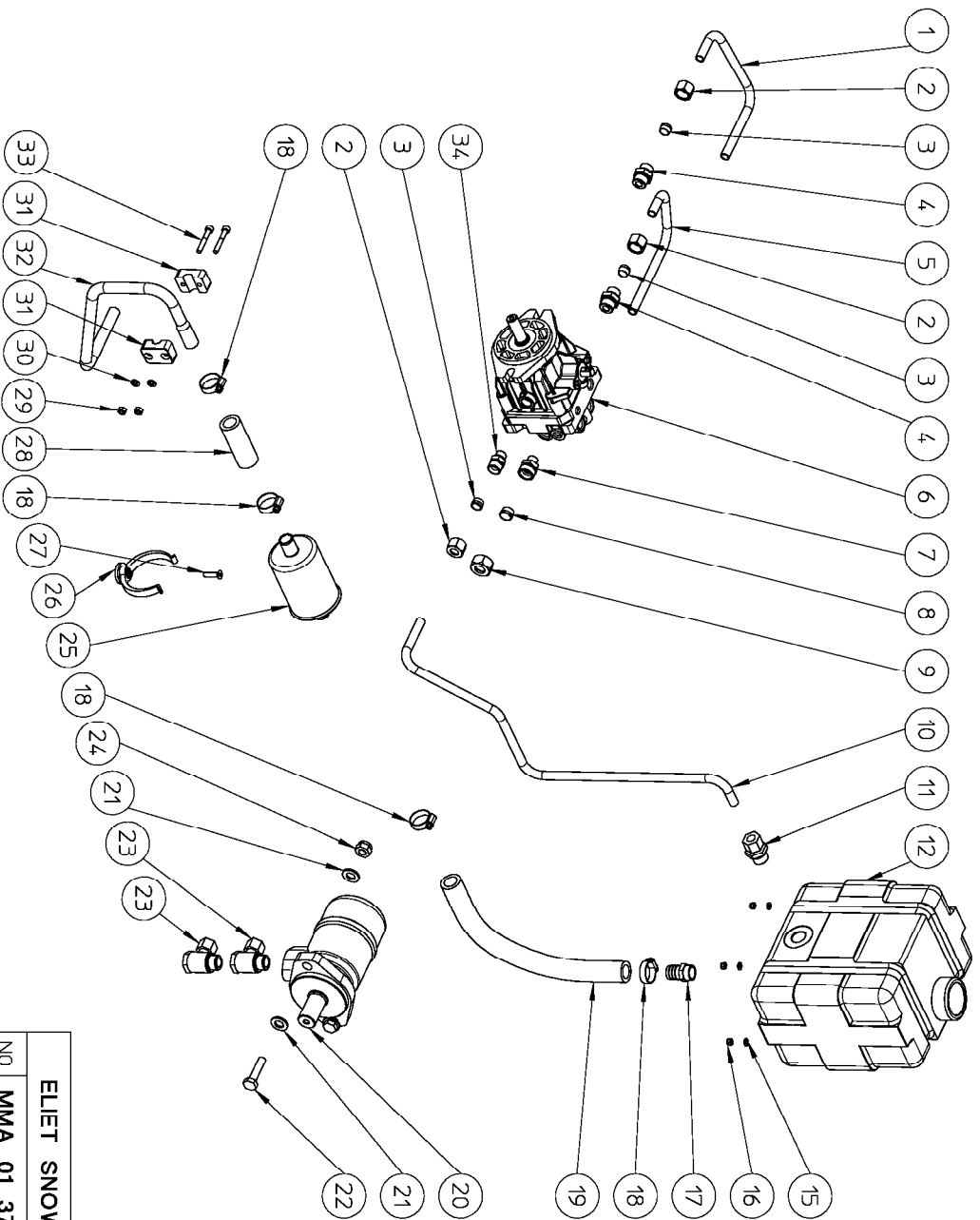
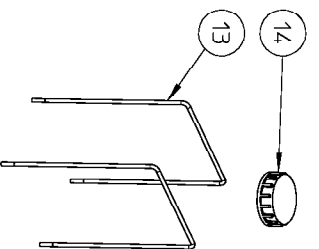
| #  | Order nr       | Description                                 | #  |
|----|----------------|---|----|
| 1  | MPA 01 370 950 | AXLE CONTROL LEVER AUGER TRANSMITION        | 1  |
| 2  | BB 120 050 200 | LOCKING 5X20 DIN 1481                       | 5  |
| 3  | MPA 01 310 080 | CLUTCH HANDLE AUGER                         | 2  |
| 4  | BR 112 121 090 | NYLON BUSHING WITH COLLAR (12/16/22x10/2)   | 7  |
| 5  | MPA 01 370 370 | CONTROL PANEL                               | 1  |
| 6  | BR 000 800 222 | PROTECTIVE BELLOWS                          | 1  |
| 7  | MPA 01 371 120 | SUPPORT RUBBER JOYSTICK                     | 1  |
| 8  | BS 522 500 612 | SCREW M6X12 ISO 7380                        | 4  |
| 9  | BE 412 410 000 | MAINTENANCE METER AND T/MIN                 | 1  |
| 10 | BS 541 000 510 | SCREW M5X10 DIN 84                          | 4  |
| 11 | BS 531 000 800 | WASHER M8 DIN 125                           | 12 |
| 12 | BS 534 000 800 | LOCK WASHER M8 DIN 6798A                    | 4  |
| 13 | BS 512 000 816 | BOLT M8X16 DIN 933                          | 7  |
| 14 | MPA 01 310 990 | DRIVING SPINDLE PUMP                        | 1  |
| 15 | BA 420 010 103 | KIT BRAKE FRICTION PAD LEFT                 | 1  |
| 16 | BS 502 000 600 | SELF LOCKING NUT M6 DIN 985                 | 12 |
| 17 | BS 531 000 600 | WASHER M6 DIN 125                           | 16 |
| 18 | MPA 01 311 970 | LEVER CONTROL COUPLING AUGER                | 1  |
| 19 | BS 512 000 625 | BOLT M6X25 DIN 933                          | 4  |
| 20 | MPA 01 371 190 | SPACER                                      | 1  |
| 21 | BS 502 000 500 | SELF LOCKING NUT M5 DIN 985                 | 4  |
| 22 | BK 164 310 900 | THROTTLE CONTROL + CABLE                    | 1  |
| 23 | BS 502 000 800 | SELF LOCKING NUT M8 DIN 985                 | 3  |
| 24 | MPA 01 370 980 | SUPPORT RING LEVER JOYSTICK SNOWBOB 8014    | 2  |
| 25 | MPA 01 370 410 | CONTROL LEVER PUMP                          | 1  |
| 26 | MPA 01 370 380 | TIPPIECE CONTROL                            | 1  |
| 27 | BR 112 152 100 | NYLON BUSHING WITH COLLAR (15.4/18/23x21/1) | 2  |
| 28 | MPA 01 371 010 | PUMPCLUTCHING                               | 2  |
| 29 | BS 533 000 600 | LOCK WASHER M6 DIN 127B                     | 4  |
| 30 | BB 011 000 060 | STARLOCK 6MM                                | 2  |
| 31 | MPA 01 310 240 | CONTROL LEVER TO UNBLOCK                    | 1  |
| 32 | BR 111 131 090 | BUSHING                                     | 2  |
| 33 | MPA 01 310 250 | GUIDE LEVER TO UNBLOCK                      | 1  |
| 34 | BS 552 100 620 | SCREW M12X40 TYPE KF                        | 1  |
| 35 | BL 000 601 903 | BEARING EZO 606 ZZ                          | 1  |
| 36 | MPA 01 310 260 | LEVER TO UNBLOCK                            | 1  |
| 37 | BR 111 122 090 | NYLON BUSHING (12/14x20)                    | 1  |
| 38 | MPA 01 310 160 | LEVER CONTROL COUPLING PUMP                 | 1  |
| 39 | BV 011 311 005 | SPRING 1,3X11X55                            | 2  |
| 40 | BB 120 080 500 | LOCKING 8X50 DIN 1481                       | 1  |
| 41 | MPA 01 371 020 | AXE CONTROL BRAKE                           | 1  |
| 42 | BS 512 000 616 | BOLT M6X16 DIN 933                          | 4  |
| 43 | BR 112 060 800 | NYLON BUSHING WITH COLLAR (6/10/15x8.5/2)   | 1  |
| 44 | BV 911 000 010 | SPRING 14X2X16                              | 1  |
| 45 | BA 410 100 100 | KIT BRAKE FRICTION PAD                      | 1  |
| 46 | BA 230 010 800 | BALL JOINT M8                               | 4  |
| 47 | BS 501 000 800 | NUT M8 DIN 934                              | 5  |
| 48 | MPA 01 370 970 | STUD PUMP SNOWBOB 8014                      | 1  |
| 49 | MPA 01 310 230 | SUPPORT BRAKE FRICTION PAD                  | 2  |
| 50 | BS 511 000 642 | BOLT M6X50 DIN 931                          | 2  |
| 51 | BS 511 000 645 | BOLT M6X65 DIN 931                          | 1  |

|    |                |   |   |
|----|----------------|---|---|
| 52 | BA 420 010 104 | KIT BRAKE FRICTION PAD RIGHT                | 1 |
| 53 | BV 923 000 030 | SPRING                                      | 1 |
| 54 | BB 011 000 080 | STARLOCK 8MM                                | 1 |
| 55 | BB 001 000 250 | RETAINING RING 20 DIN 471                   | 1 |
| 56 | MPA 01 310 870 | WASHER                                      | 1 |
| 57 | BV 923 000 010 | SPRING                                      | 1 |
| 58 | MPA 01 370 350 | LEVER CONTROL PUMP                          | 1 |
| 59 | BS 512 000 820 | BOLT M8X20 DIN 933                          | 2 |
| 60 | MPA 01 370 940 | LEVER POSITIONER PUMP SNOWBOB 8014          | 1 |
| 61 | BS 508 200 824 | NUT M8X24                                   | 1 |
| 62 | BS 512 000 835 | BOLT M8X35 DIN 933                          | 1 |
| 63 | MPA 01 370 960 | STUD PUMP SNOWBOB 8014                      | 1 |
| 64 | BR 112 101 490 | NYLON BUSHING WITH COLLAR (10/14/17.5x14/1) | 2 |
| 65 | MPA 01 370 360 | TIPPIECE PUMPCONTROL                        | 1 |
| 66 | MPA 01 370 110 | THORN CONTROL HINGE PUMP                    | 1 |
| 67 | BS 533 000 800 | LOCK WASHER M8 DIN 127B                     | 1 |



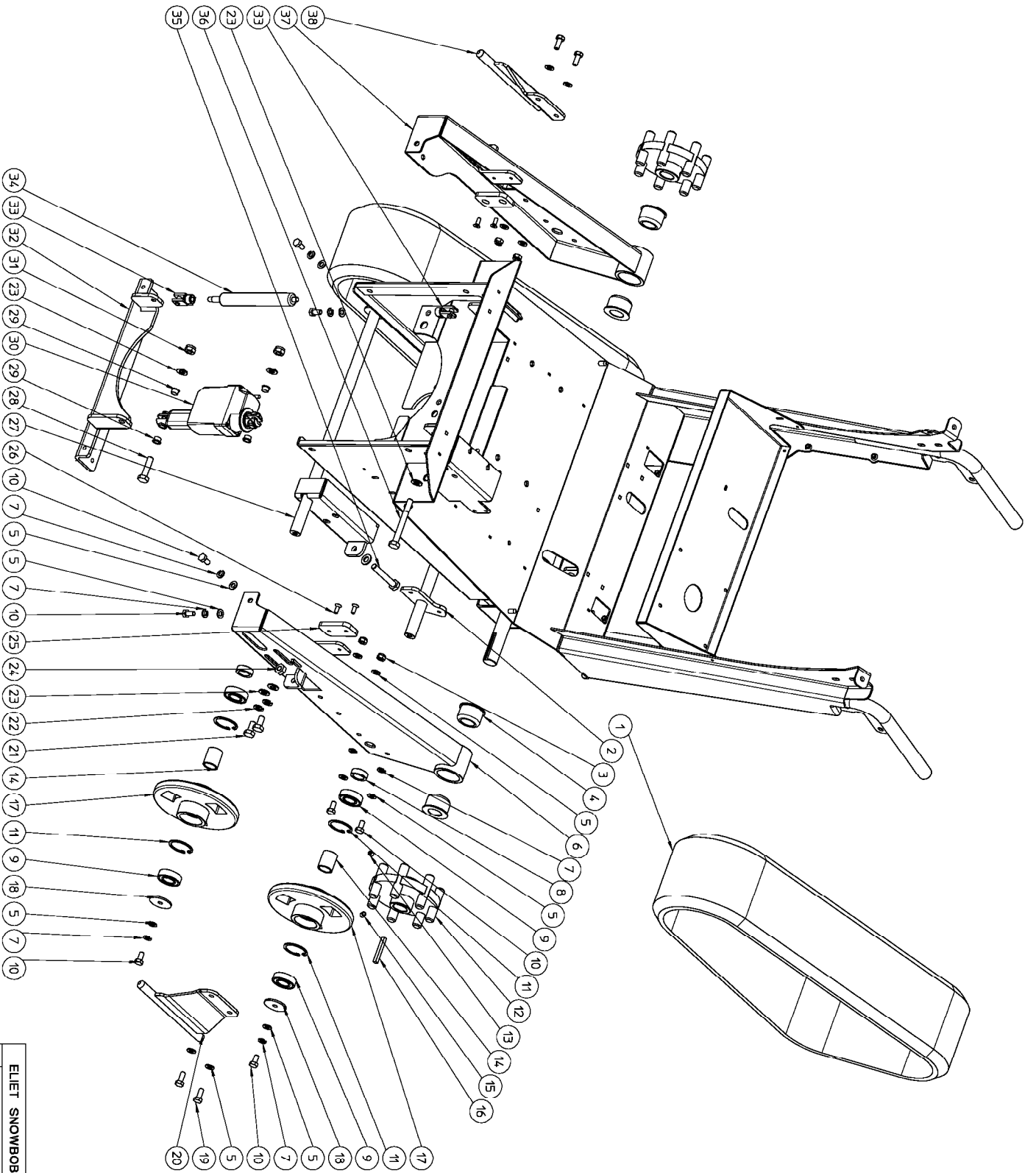
| ELIET SNOWBOB 8014 -- ELECTRICS |                |     |   |            |
|---------------------------------|----------------|-----|---|------------|
| NO                              | MMA 01 370 120 | REV | 1 | DATE       |
|                                 |                |     |   | 2014/01/24 |

| #  | Order nr       | Description                            | # |
|----|----------------|--|---|
| 1  | BM 263 000 330 | IGNITION SWITCH                        | 1 |
| 2  | BM 261 000 010 | PROTECTION IGNITION                    | 1 |
| 3  | BM 263 009 980 | STARTER KEY                            | 1 |
| 4  | BE 032 180 907 | HOUSING                                | 1 |
| 5  | BE 071 171 101 | CABLE BOX ENTRY                        | 1 |
| 6  | BE 071 081 100 | LOCKNUT PG11                           | 1 |
| 7  | BE 160 013 000 | REVERSING RELAY 12V                    | 5 |
| 8  | BE 100 700 300 | MIDI-BLADE FUSE 3A                     | 1 |
| 9  | BE 100 700 500 | MIDI-BLADE FUSE 5A                     | 1 |
| 10 | BE 100 700 750 | MIDI-BLADE FUSE 7.5A                   | 1 |
| 11 | BE 100 701 000 | FUSE 10A                               | 1 |
| 12 | BE 100 703 000 | MIDI-BLADE FUSE 30A                    | 1 |
| 13 | BE 099 003 799 | ELECTRICAL SYSTEM                      | 1 |
| 14 | BE 120 020 636 | SWITCH                                 | 1 |
| 15 | BE 120 070 011 | JOYSTICK                               | 1 |
| 16 | BE 122 621 400 | CHANGEOVER SWITCH                      | 1 |
| 17 | BE 099 003 707 | CABLE WITH CABLE CLAMPS                | 1 |
| 18 | BE 090 280 631 | RED WIRE 16MM <sup>2</sup> - 600MM     | 1 |
| 19 | MPA 01 371 030 | BRACKET BATTERY SNOWBOB 8014           | 1 |
| 20 | BS 531 000 500 | WASHER M5 DIN 125                      | 1 |
| 21 | BS 502 000 500 | SELF LOCKING NUT M5 DIN 985            | 1 |
| 22 | BR 900 001 550 | RUBBER PROTECTION BELT BATTERY SNOWBOB | 1 |
| 23 | BR 900 001 540 | RUBBER PROTECTION BATTERY SNOWBOB      | 1 |
| 24 | BE 240 120 240 | BATTERY 12V 24AH                       | 1 |
| 25 | BE 090 180 631 | BLACK WIRE 16MM <sup>2</sup> - 630MM   | 1 |
| 26 | BE 099 003 701 | CABLE ACTUATOR SPOUT                   | 1 |
| 27 | BA 700 300 100 | LINEAR MOTOR 12VDC                     | 1 |
| 28 | BY 707 040 401 | WORKING LIGHT MODUL 70 H3              | 1 |
| 29 | BE 510 510 120 | LAMP H3 12V 55W                        | 1 |
| 30 | BE 031 013 000 | EYED TERMINAL M4                       | 1 |
| 31 | BE 031 010 300 | CRIMP CONTACT                          | 1 |
| 32 | BE 099 003 702 | CABLE STARTER KEY                      | 1 |
| 33 | BA 700 400 100 | DRIVING GEARED MOTOR 12VDC             | 1 |



| ELIET SNOWBOB 8014 --- HYDRAULICS |     |            |     |   |      |            |
|-----------------------------------|-----|------------|-----|---|------|------------|
| NO                                | MMA | 01 370 130 | REV | 1 | DATE | 2014/01/24 |
|                                   |     |            |     |   |      |            |

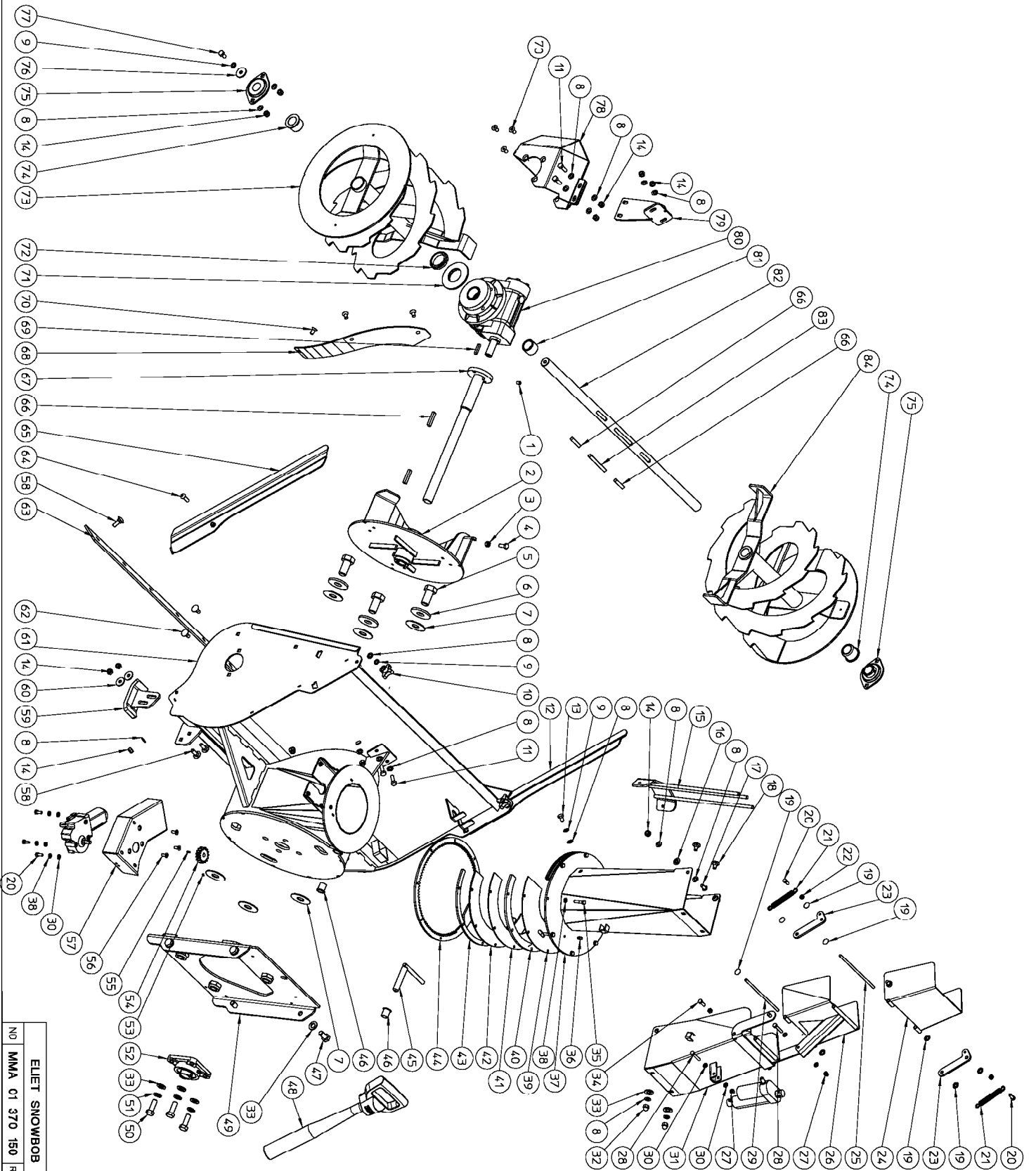
| #  | Order nr       | Description                        | # |
|----|----------------|------------------------------------|---|
| 1  | MPA 01 371 080 | HYDRAULIC PIPE                     | 1 |
| 2  | BH 508 121 200 | NUT 12L                            | 3 |
| 3  | BH 508 821 200 | CUTTING RING 12LS                  | 3 |
| 4  | BH 509 291 219 | MALE STUD COUPLING 12Lx3/4 UNF BO  | 2 |
| 5  | MPA 01 371 090 | HYDRAULIC PIPE                     | 1 |
| 6  | BH 241 110 001 | PUMP 10CC                          | 1 |
| 7  | BH 509 291 514 | MALE STUD COUPLING 15Lx9/16 UNF BO | 1 |
| 8  | BH 508 821 500 | CUTTING RING 15LS                  | 1 |
| 9  | BH 508 121 500 | NUT 15L                            | 1 |
| 10 | MPA 01 371 100 | HYDRAULIC PIPE - RETURN            | 1 |
| 11 | BH 509 211 208 | MALE STUD COUPLING 12Lx1/2"        | 1 |
| 12 | BY 717 208 206 | PLASTIC TANK 6L                    | 1 |
| 13 | MPA 01 150 420 | YOKE FUEL TANK                     | 2 |
| 14 | BH 720 503 040 | CAP FOR TANK                       | 1 |
| 15 | BS 531 000 500 | WASHER M5 DIN 125                  | 4 |
| 16 | BS 502 000 500 | SELF LOCKING NUT M5 DIN 985        | 4 |
| 17 | BT 136 260 820 | INSERT CONNECTOR FOR HOSE 20X1/2   | 1 |
| 18 | BT 670 117 290 | HOSE CLAMP 17X29MM                 | 4 |
| 19 | BR 201 019 034 | FLEXIBLE HOSE 19-340MM             | 1 |
| 20 | BH 331 416 001 | HYDRAULIC ENGINE EPM 160 CD        | 1 |
| 21 | BS 531 001 200 | WASHER M12 DIN 125                 | 4 |
| 22 | BS 512 001 041 | BOLT M10X45 DIN 933                | 2 |
| 23 | BH 513 111 208 | BANJO 12Lx1/2"                     | 2 |
| 24 | BS 502 001 200 | SELF LOCKING NUT M12 DIN 985       | 2 |
| 25 | BH 280 119 190 | HYDRAULIC FILTER P17               | 1 |
| 26 | BT 653 006 300 | CLAM 63MM                          | 1 |
| 27 | BS 522 100 625 | SCREW M6X25 DIN 7991               | 1 |
| 28 | BR 201 019 008 | FLEXIBLE HOSE 19-80MM              | 1 |
| 29 | BS 502 000 600 | SELF LOCKING NUT M6 DIN 985        | 2 |
| 30 | BS 531 000 600 | WASHER M6 DIN 125                  | 2 |
| 31 | BH 711 510 100 | PIPE CLAMP A-15MM                  | 2 |
| 32 | MPA 01 371 110 | HYDARULIC SUCTION TUBE             | 1 |
| 33 | BS 521 100 640 | SCREW M6X40 DIN 912                | 2 |
| 34 | BH 509 291 214 | MALE STUD COUPLING 12Lx9/16 UNF BO | 1 |



ELET SNOWBOB 8014 -- TRAIN TRACK  
 NO MMA 01 370 140 REV 1 DATE 2014/01/24



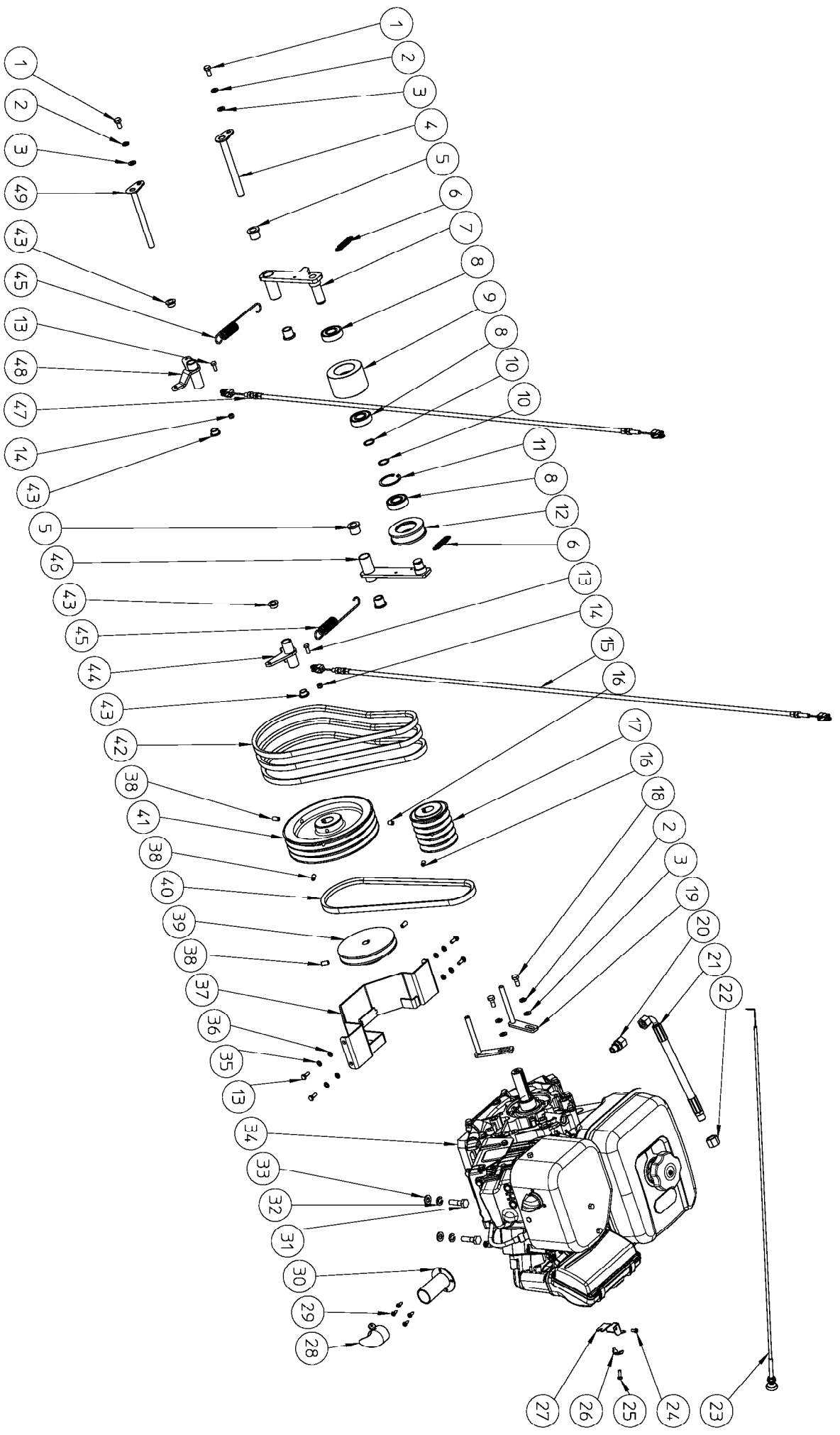
| #  | Order nr       | Description                               | #  |
|----|----------------|---|----|
| 1  | BW 815 060 250 | CRAWLER 150X25X60                         | 2  |
| 2  | MPA 01 370 200 | SUPPORT AXE REAR WHEELS                   | 1  |
| 3  | BS 502 000 800 | SELF LOCKING NUT M8 DIN 985               | 4  |
| 4  | BR 112 263 000 | NYLON BUSHING WITH COLLAR (26/42/48x30/2) | 4  |
| 5  | BS 531 000 800 | WASHER M8 DIN 125                         | 20 |
| 6  | MPA 01 370 190 | SUPPORT CATERPILLAR LEFT                  | 1  |
| 7  | BS 533 000 800 | LOCK WASHER M8 DIN 127B                   | 12 |
| 8  | MPA 01 370 910 | SPACER RING SNOWBOB 8014                  | 4  |
| 9  | BL 002 004 203 | BEARING 6004 ZZ                           | 8  |
| 10 | BS 512 000 816 | BOLT M8X16 DIN 933                        | 12 |
| 11 | BB 002 000 420 | RETAINING RING 42 DIN 472                 | 8  |
| 12 | MPA 01 370 150 | DRIVE WHEEL CATERPILLAR                   | 2  |
| 13 | BS 023 000 808 | SET SCREW M8X8 DIN 916                    | 2  |
| 14 | MPA 01 370 920 | SPACER SNOWBOB 8014                       | 4  |
| 15 | BS 023 000 810 | SET SCREW M8X10 DIN 916                   | 2  |
| 16 | BB 342 060 650 | KEY 6.35X6.35X50 DIN 6880                 | 2  |
| 17 | MPA 01 370 140 | FREE CATERPILLAR                          | 4  |
| 18 | MPA 01 370 930 | WASHER SNOWBOB 8014                       | 4  |
| 19 | BS 512 000 820 | BOLT M8X20 DIN 933                        | 4  |
| 20 | MPA 01 370 170 | CATERPILLAR GUIDE LEFT                    | 1  |
| 21 | BS 512 001 020 | BOLT M10X20 DIN 933                       | 4  |
| 22 | BS 533 001 000 | LOCK WASHER M10 DIN 127B                  | 4  |
| 23 | BS 531 001 000 | WASHER M10 DIN 125                        | 9  |
| 24 | BS 501 001 000 | NUT M10 DIN 934                           | 2  |
| 25 | BR 910 000 630 | ERTALON CONDUCTOR                         | 2  |
| 26 | BS 522 100 616 | SCREW M6X16 DIN 7991                      | 4  |
| 27 | MPA 01 370 340 | ENGINE SUPPORT                            | 1  |
| 28 | BS 512 001 040 | BOLT M10X40 DIN 933                       | 1  |
| 29 | BR 112 081 090 | NYLON BUSHING WITH COLLAR (12/10/15X1+7)  | 4  |
| 30 | BA 700 100 400 | LINEAR MOTOR                              | 1  |
| 31 | BS 502 001 000 | SELF LOCKING NUT M10 DIN 985              | 2  |
| 32 | MPA 01 370 900 | SUPPORT ACTUATOR                          | 1  |
| 33 | BS 556 000 800 | FORK M8 DIN 71752                         | 2  |
| 34 | BV 521 012 002 | GAS STRUTS 1000N X 120MM                  | 1  |
| 35 | BS 512 001 045 | BOLT M10X65 DIN 933                       | 2  |
| 36 | BS 511 001 049 | BOLT M10X90 DIN 931                       | 1  |
| 37 | MPA 01 370 180 | SUPPORT CATERPILLAR RIGHT                 | 1  |
| 38 | MPA 01 370 160 | CATERPILLAR GUIDE RIGHT                   | 1  |



ELET SNOWBOB 8014 --- BLOWER  
 MMA 01 370 150 REV 1 DATE 20/4/01/24

| #  | Order nr       | Description                                     | #  |
|----|----------------|---|----|
| 1  | BS 023 000 810 | SET SCREW M8X10 DIN 916                         | 1  |
| 2  | MPA 01 370 230 | SCREW   | 1  |
| 3  | BS 501 000 800 | NUT M8 DIN 934                                  | 1  |
| 4  | BS 512 002 040 | BOLT M20X40 DIN 933                             | 3  |
| 5  | MPA 01 310 900 | WASHER  | 3  |
| 6  | BR 910 000 440 | ERTALON PRECISION WASHER                        | 6  |
| 7  | BS 531 000 800 | WASHER M8 DIN 125                               | 31 |
| 8  | BS 534 000 800 | LOCK WASHER M8 DIN 6798A                        | 6  |
| 9  | BN 630 808 400 | LOB KNOB 188-40 M8                              | 2  |
| 10 | BS 512 000 825 | BOLT M8X25 DIN 933                              | 4  |
| 11 | BS 502 000 600 | SELF LOCKING NUT M6 DIN 985                     | 2  |
| 12 | MPA 01 310 620 | KNIVE RIGHT                                     | 1  |
| 13 | BS 512 000 812 | BOLT M8X12 DIN 933                              | 2  |
| 14 | BS 512 000 820 | BOLT M8X20 DIN 933                              | 3  |
| 15 | MPA 01 310 520 | PROTECTION BLOW CHUTE                           | 1  |
| 16 | BR 112 080 300 | NYLON BUSHING WITH COLLAR (8.2/10.9/18x3.5/1.5) | 2  |
| 17 | BS 502 000 800 | SELF LOCKING NUT M8 DIN 985                     | 23 |
| 18 | BS 554 100 816 | BOLT M8X16 DIN 603                              | 2  |
| 19 | BB 011 000 080 | STARLOCK 8MM                                    | 8  |
| 20 | BS 512 000 616 | BOLT M6X16 DIN 933                              | 5  |
| 21 | BV 923 000 070 | SPRING  | 2  |
| 22 | BS 501 000 600 | NUT M6 DIN 934                                  | 6  |
| 23 | MPA 01 310 910 | ROD VALVES                                      | 2  |
| 24 | MPA 01 310 540 | DIRECTIONAL VALVES BLOW CHUTE LOW               | 1  |
| 25 | MPA 01 311 080 | AXLE VALVE - UP                                 | 1  |
| 26 | MPA 01 310 530 | DIRECTIONAL VALVES BLOW CHUTE HIGH              | 1  |
| 27 | BS 505 500 600 | NUT M6 DIN 1587                                 | 2  |
| 28 | BS 512 000 635 | BOLT M6X35 DIN 933                              | 2  |
| 29 | MPA 01 311 090 | AXLE VALVE - DOWN                               | 1  |
| 30 | BS 531 000 600 | WASHER M6 DIN 125                               | 7  |
| 31 | MPA 01 370 210 | EJECTION TUBE TOP                               | 1  |
| 32 | BS 505 800 800 | NUT M8 DIN 986                                  | 2  |
| 33 | BS 531 001 200 | WASHER M12 DIN 125                              | 10 |
| 34 | BS 512 000 620 | BOLT M6X20 DIN 933                              | 2  |
| 35 | BS 511 000 630 | BOLT M6X30 DIN 931                              | 8  |
| 36 | BS 533 000 600 | LOCK WASHER M6 DIN 127B                         | 11 |
| 37 | MPA 01 370 220 | EJECTION TUBE                                   | 1  |
| 38 | BR 910 000 600 | NYLON 1 SPOUT MILL                              | 2  |
| 39 | BR 910 000 610 | NYLON 2 SPOUT MILL                              | 2  |
| 40 | BR 910 000 620 | NYLON 2 SPOUT MILL                              | 2  |
| 41 | MPA 01 370 830 | SUPPORT OUTPUT DEFLECTOR                        | 2  |
| 42 | MPA 01 370 840 | SPACER OUTPUT DEFLECTOR                         | 2  |
| 43 | BS 511 000 640 | BOLT M6X40 DIN 931                              | 2  |
| 44 | MPA 01 370 850 | TOOTHED RING EJECTION TUBE Ø280X5               | 1  |
| 45 | MPA 01 370 310 | LOCK PIN AUGER                                  | 1  |
| 46 | BR 112 152 100 | NYLON BUSHING WITH COLLAR (15.4/18/23x21/1)     | 2  |
| 47 | BS 512 001 225 | BOLT M12X25 DIN 933                             | 4  |
| 48 | BR 930 010 210 | PUSHPOLE  | 1  |
| 49 | MPA 01 370 280 | SUPPORTING PLATE MILLING HEAD                   | 1  |
| 50 | BS 512 001 235 | BOLT M12X35 DIN 933                             | 4  |
| 51 | BS 533 001 200 | LOCK WASHER M12 DIN 127B                        | 4  |

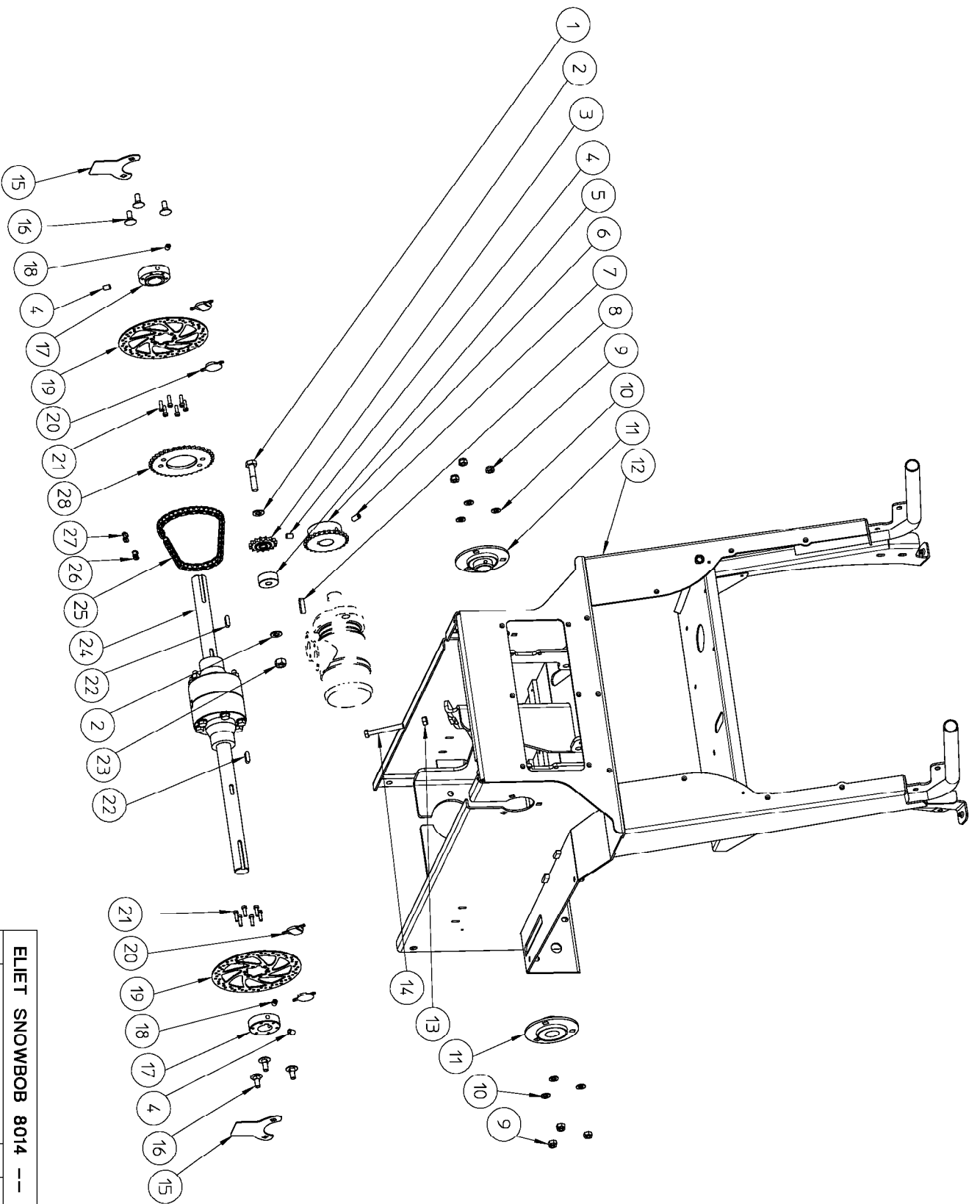
|    |                |   |    |
|----|----------------|---|----|
| 52 | BL 711 272 505 | BEARING UFC205                            | 1  |
| 53 | BS 023 000 405 | SET SCREW M4X6 DIN 916                    | 1  |
| 54 | BA 602 501 501 | GEAR M2.5 15T                             | 1  |
| 55 | BB 351 030 310 | KEY 3X3X10 DIN 6885A                      | 1  |
| 56 | BS 522 100 616 | SCREW M6X16 DIN 7991                      | 3  |
| 57 | MPA 01 370 330 | SUPPORT ENGINE                            | 1  |
| 58 | BS 554 100 825 | BOLT M8X25 DIN 603                        | 10 |
| 59 | MPA 01 310 450 | BRAKE                                     | 2  |
| 60 | BS 532 008 254 | WASHER M8X25X2                            | 4  |
| 61 | MPA 01 370 300 | CHASSIS MILLING HEAD                      | 1  |
| 62 | BS 554 100 820 | BOLT M8X20 DIN 603                        | 4  |
| 63 | MPA 01 370 820 | KNIVE SNOWBOB 8014                        | 1  |
| 64 | BS 522 500 825 | SCREW M8X25 ISO 7380                      | 2  |
| 65 | MPA 01 310 610 | KNIVE LEFT                                | 1  |
| 66 | BB 341 080 740 | KEY 8X7X40 DIN 6880                       | 4  |
| 67 | MPA 01 370 320 | SHAFT DRIVE TURBINE GEARBOX               | 1  |
| 68 | MPA 01 370 810 | ANTI REJECTION PLATE SNOWBOB 8014         | 1  |
| 69 | BB 351 060 630 | KEY 6X6X30 DIN 6885A                      | 1  |
| 70 | BS 522 100 816 | SCREW M8X16 DIN 7991                      | 9  |
| 71 | BS 033 541 802 | SLIP HUB DISC                             | 1  |
| 72 | BS 508 004 007 | LOCKNUT M40X1                             | 1  |
| 73 | MPA 01 370 250 | AUGER LEFT                                | 1  |
| 74 | BR 112 253 001 | NYLON BUSHING WITH COLLAR (25/36/42x30/3) | 2  |
| 75 | BL 801 102 500 | BEARING + FLANGES ASPFL 205               | 2  |
| 76 | BS 532 008 306 | WASHER M8X30X3                            | 2  |
| 77 | BS 512 000 816 | BOLT M8X16 DIN 933                        | 2  |
| 78 | MPA 01 370 270 | PROTECTION                                | 1  |
| 79 | MPA 01 370 260 | SUPPORT GEAR BOX                          | 1  |
| 80 | BA 670 301 006 | REDUCTION GEARBOX RI63                    | 1  |
| 81 | MPA 01 370 870 | SPACER RING SNOWBOB 8014                  | 1  |
| 82 | MPA 01 370 860 | AUGER AXLE                                | 1  |
| 83 | BB 341 080 780 | KEY 8X7X80 DIN 6880                       | 1  |
| 84 | MPA 01 370 240 | AUGER RIGHT                               | 1  |



**ELIET SNOWBOB 8014 --- BLOWER ENGINE**

|    |                |     |   |      |            |
|----|----------------|-----|---|------|------------|
| NO | MMA 01 370 160 | REV | 1 | DATE | 2014/01/24 |
|----|----------------|-----|---|------|------------|

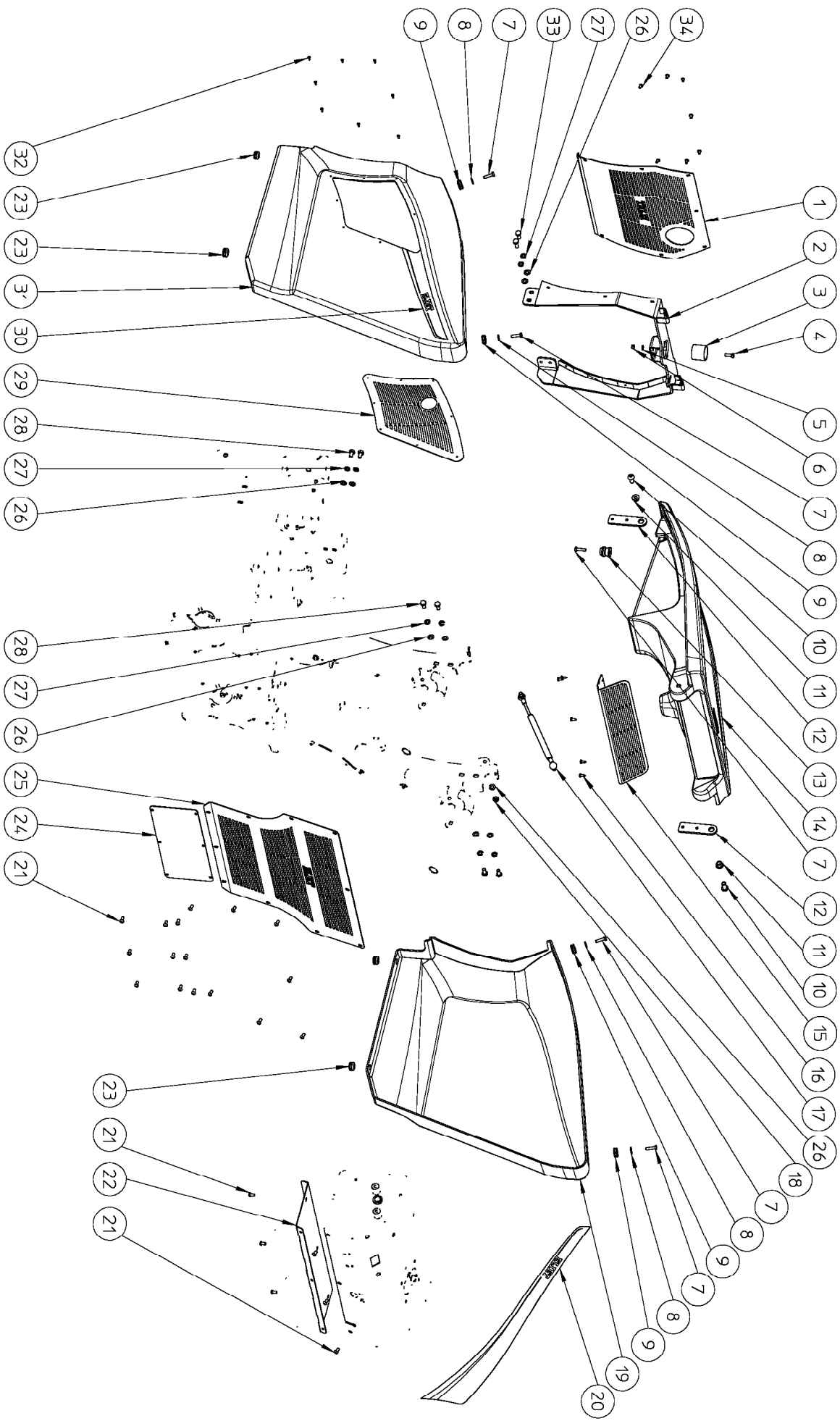
| #  | Order nr       | Description                               | # |
|----|----------------|---|---|
| 1  | BS 512 000 816 | BOLT M8X16 DIN 933                        | 2 |
| 2  | BS 533 000 800 | LOCK WASHER M8 DIN 127B                   | 4 |
| 3  | BS 531 000 800 | WASHER M8 DIN 125                         | 4 |
| 4  | MPA 01 370 090 | THORN COUPLING HINGE                      | 1 |
| 5  | BR 112 152 090 | NYLON BUSHING WITH COLLAR (15/21/27x21/3) | 4 |
| 6  | BV 011 311 005 | SPRING 1,3X11X55                          | 2 |
| 7  | MPA 01 370 070 | LEVER CONTROL COUPLING AUGER              | 1 |
| 8  | BL 002 004 703 | BEARING 6204 ZZ                           | 3 |
| 9  | MPA 01 371 140 | IDLER ROLLER Ø80 L:52                     | 1 |
| 10 | BB 001 000 200 | RETAINING RING 20 DIN 471                 | 2 |
| 11 | BB 002 000 470 | RETAINING RING 32 DIN 472                 | 1 |
| 12 | MPA 01 371 150 | IDLER ROLLER Ø80 L:24                     | 1 |
| 13 | BS 512 000 616 | BOLT M6X16 DIN 933                        | 6 |
| 14 | BS 502 000 600 | SELF LOCKING NUT M6 DIN 985               | 2 |
| 15 | BK 153 251 510 | COUPLING CABLE PUMP                       | 1 |
| 16 | BS 023 000 812 | SET SCREW M8X12 DIN 916                   | 2 |
| 17 | BA 565 708 051 | PULLEY SPA IIIII 80X25.4X6.4              | 1 |
| 18 | BS 512 040 819 | BOLT UNF 5/16"X3/4"                       | 2 |
| 19 | MPA 01 370 130 | BELT GUIDE                                | 2 |
| 20 | BH 509 221 214 | MALE STUD COUPLING 12LxM14                | 1 |
| 21 | BH 551 060 270 | FLEXIBLE HYDRAULIC HOSE 3/8"x270          | 1 |
| 22 | BT 174 150 600 | TERMINAL NUT 3/8"                         | 1 |
| 23 | BK 181 151 040 | CHOKE CONTROL                             | 1 |
| 24 | BS 541 000 510 | SCREW M5X10 DIN 84                        | 1 |
| 25 | BS 541 000 516 | SCREW M5X16 DIN 84                        | 1 |
| 26 | BM 262 000 005 | ACCELERATOR CALBE CLIP                    | 1 |
| 27 | MPA 01 371 180 | SUPPORT CHOKECABLE SNOWBOB 8014           | 1 |
| 28 | BM 260 697 816 | ELBOW MUFFLER                             | 1 |
| 29 | BS 549 014 813 | SCREW Ø4.8X13 DIN 7981                    | 4 |
| 30 | MPA 01 370 430 | EXHAUST PIPE                              | 1 |
| 31 | BS 511 001 040 | BOLT M10X40 DIN 931                       | 4 |
| 32 | BS 533 001 000 | LOCK WASHER M10 DIN 127B                  | 4 |
| 33 | BS 531 001 000 | WASHER M10 DIN 125                        | 4 |
| 34 | BM 204 114 000 | ENGINE SUBARU EX 42                       | 1 |
| 35 | BS 533 000 600 | LOCK WASHER M6 DIN 127B                   | 4 |
| 36 | BS 531 000 600 | WASHER M6 DIN 125                         | 4 |
| 37 | MPA 01 370 120 | BELT GUIDE                                | 1 |
| 38 | BS 023 000 816 | SET SCREW M8X16 DIN 916                   | 4 |
| 39 | BA 565 712 502 | PULLEY SPA 125X15X5                       | 1 |
| 40 | BA 521 709 141 | BELT A 36 POWERATED                       | 1 |
| 41 | BA 565 720 031 | PULLEY SPA II 200X25X8                    | 1 |
| 42 | BA 521 709 901 | BELT A 39 POWERATED                       | 3 |
| 43 | BR 112 121 090 | NYLON BUSHING WITH COLLAR (12/16/22x10/2) | 4 |
| 44 | MPA 01 370 060 | HINGEPIECE CONTROL PUMP                   | 1 |
| 45 | BV 923 000 020 | SPRING                                    | 2 |
| 46 | MPA 01 370 080 | LEVER CLUTCH PUMP                         | 1 |
| 47 | BK 153 251 280 | COUPLING CABLE MILLING TOOL               | 1 |
| 48 | MPA 01 370 050 | LEVER CONTROL COUPLING AUGER              | 1 |
| 49 | MPA 01 370 100 | THORN COUPLING HINGE PUMP                 | 1 |



|  |                |     |   |
|--|----------------|-----|---|
| <b>ELIET SNOWBOB 8014 --- TRACTION DRIVE</b> |                |     |   |
| NO   | MMA 01 370 170 | REV | 1 |
| DATE   | 2014/01/31     |     |   |

| #  | Order nr       | Description                                    | #  |
|----|----------------|--|----|
| 1  | BS 511 001 042 | BOLT M10X50 DIN 931                            | 1  |
| 2  | BS 531 001 000 | WASHER M10 DIN 125                             | 2  |
| 3  | BA 198 010 150 | SPROCKET SIMPLEX 3/8"X7/32" 15T + BEARING      | 1  |
| 4  | BS 023 000 812 | SET SCREW M8X12 DIN 916                        | 3  |
| 5  | MPA 01 370 990 | RING CHAIN TIGHTENER                           | 1  |
| 6  | BA 161 025 250 | SPROCKET SIMPLEX 3/8"X7/32" 25T                | 1  |
| 7  | BS 023 000 816 | SET SCREW M8X16 DIN 916                        | 1  |
| 8  | BB 351 080 730 | KEY 8X7X30 DIN 6885A                           | 1  |
| 9  | BS 502 000 800 | SELF LOCKING NUT M8 DIN 985                    | 6  |
| 10 | BS 531 000 800 | WASHER M8 DIN 125                              | 6  |
| 11 | BL 801 502 500 | BEARING + FLANGES ASPF 205                     | 2  |
| 12 | MPA 01 370 040 | FRAME  | 1  |
| 13 | BS 501 000 800 | NUT M8 DIN 934                                 | 1  |
| 14 | BS 512 000 845 | BOLT M8X65 DIN 933                             | 1  |
| 15 | MPA 01 370 890 | PROTECTIONPLATE                                | 2  |
| 16 | BS 554 100 820 | BOLT M8X20 DIN 603                             | 6  |
| 17 | MPA 01 371 000 | SUPPORT RING BRAKE DISC                        | 2  |
| 18 | BS 023 000 810 | SET SCREW M8X10 DIN 916                        | 2  |
| 19 | BA 420 010 105 | DISC BRAKE                                     | 2  |
| 20 | BA 420 010 106 | SMALL BRAKE PLATE                              | 4  |
| 21 | BS 541 000 516 | SCREW M5X16 DIN 84                             | 12 |
| 22 | BB 342 060 620 | KEY 6.35X6.35X20 DIN 6885A                     | 2  |
| 23 | BS 502 001 000 | SELF LOCKING NUT M10 DIN 985                   | 1  |
| 24 | BH 680 600 107 | DIFFERENTIAL                                   | 1  |
| 25 | BA 101 059 020 | CHAIN SIMPLEX 3/8"X7/32" 59L                   | 1  |
| 26 | BA 151 400 000 | CONNECTING CHAIN LINK SIMPLEX (1/2) 3/8"X7/32" | 1  |
| 27 | BA 151 200 000 | CONNECTING CHAIN LINK SIMPLEX 3/8"X7/32"       | 1  |
| 28 | BA 161 037 540 | SPROCKET SIMPLEX 3/8"X7/32" 37T                | 1  |





**ELIET SNOWBOB 8014 --- SIDE COVER**

|    |                |     |   |      |            |
|----|----------------|-----|---|------|------------|
| NO | MMA 01 370 180 | REV | 1 | DATE | 2014/01/24 |
|----|----------------|-----|---|------|------------|

| #  | Order nr       | Description                                     | #  |
|----|----------------|---|----|
| 1  | MPA 01 371 060 | PROTECTION PLATE FRONTSIDE                      | 1  |
| 2  | MPA 01 370 400 | HOLDER FRONTAL PROTECTION                       | 1  |
| 3  | BO 530 600 002 | SOCKET  | 1  |
| 4  | BS 512 000 620 | BOLT M6X20 DIN 933                              | 1  |
| 5  | BS 531 000 600 | WASHER M6 DIN 125                               | 1  |
| 6  | BS 502 000 600 | SELF LOCKING NUT M6 DIN 985                     | 1  |
| 7  | BS 512 000 625 | BOLT M6X25 DIN 933                              | 5  |
| 8  | BS 532 006 183 | WASHER M6X18X1.5                                | 4  |
| 9  | BR 000 212 040 | GROMMETS 120/200/40                             | 4  |
| 10 | BS 522 501 020 | SCREW M10X20 ISO 7380                           | 2  |
| 11 | BR 112 101 000 | NYLON BUSHING WITH COLLAR (10/14/20x8/2)        | 2  |
| 12 | MPA 01 371 070 | FLAT HINGE SNOWBOB 8014                         | 2  |
| 13 | BO 530 600 001 | HOOK  | 1  |
| 14 | BR 930 030 030 | TOP COVER                                       | 1  |
| 15 | MPA 01 371 050 | GRATING PROTECTION PLATE FRONTSIDE SNOWBOB 8014 | 1  |
| 16 | BS 549 014 813 | SCREW Ø4.8X13 DIN 7981                          | 5  |
| 17 | BV 520 610 000 | GAS STRUTS 180N                                 | 1  |
| 18 | BS 502 000 800 | SELF LOCKING NUT M8 DIN 985                     | 1  |
| 19 | BR 930 030 020 | COVER RIGHT                                     | 1  |
| 20 | BQ 501 261 040 | STICKER COVER RIGHT                             | 1  |
| 21 | BS 522 500 612 | SCREW M6X12 ISO 7380                            | 22 |
| 22 | MPA 01 370 390 | COVER CONTROL PANEL                             | 1  |
| 23 | BR 000 209 040 | GROMMETS 90/160/40                              | 4  |
| 24 | MPA 01 370 880 | REAR FLAP                                       | 1  |
| 25 | MPA 01 371 040 | PROTECTION BEHIND SNOWBOB 8014                  | 1  |
| 26 | BS 531 000 800 | WASHER M8 DIN 125                               | 9  |
| 27 | BS 533 000 800 | LOCK WASHER M8 DIN 127B                         | 8  |
| 28 | BS 512 000 816 | BOLT M8X16 DIN 933                              | 6  |
| 29 | MPA 01 371 200 | GRIDDING SIDE SNOWBOB 8014                      | 1  |
| 30 | BQ 501 261 050 | STICKER COVER LEFT                              | 1  |
| 31 | BR 930 030 010 | COVER LEFT                                      | 1  |
| 32 | BB 221 103 100 | POP PLUG ALU 3X10 DIN 7337 A                    | 8  |
| 33 | BS 512 000 820 | BOLT M8X20 DIN 933                              | 2  |
| 34 | BS 522 500 508 | SCREW M5X8 ISO 7380                             | 7  |